

# INFINITY X-32

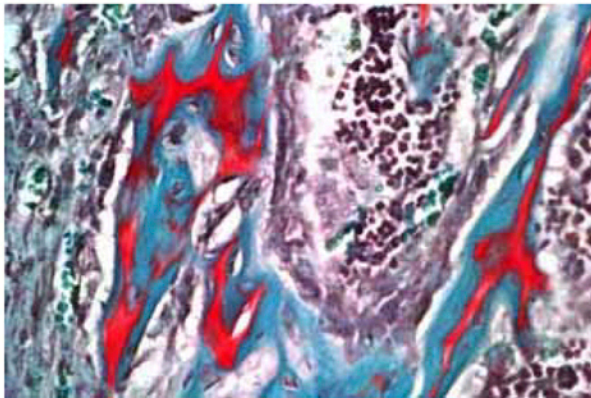


- 32 Megapixel CCD USB 2.0 Camera
- Sub-Pixel Detail
- Incredible Color Accuracy
- Excellent Sensitivity

CAT# AU-X-32C-CCD

## Outline

The INFINITYX-32 offers incredible flexibility in capturing images at 2, 8, 16 and 32 megapixel resolution. Using the patented DeltaVu™ technology, each CCD pixel captures full chromatic information, resulting in increased color resolution with no degradation. The INFINITYX-32 is the first pixel shifting camera to utilize the highly sensitive SONY ICX274 sensor. The relatively low cost of the INFINITYX-32 makes it an affordable tool for clinical, life and material sciences where megapixel resolution, color accuracy, and light sensitivity are essential.



Live video preview provides for real-time focus, while auto exposure and auto white balance help efficiently capture your optimal image. Software control provides exposures from 67µs through to 2 seconds.

An intuitive user application provides camera control, while full integration to popular third-party imaging applications is available through our TWAIN drivers.

The USB digital interface ensures a simple plug-and-play installation – and one standard cable minimizes camera clutter. No framegrabber is required.

The INFINITYX-32 includes INFINITY ANALYZE software for advanced camera control, image processing, measurement and annotation

## Performance Features

- ❑ 32 megapixel resolution is achieved through shifting a color or monochrome sensor with a 1616X1216 pixel array
- ❑ Users will have the flexibility of choosing between 2, 8, 16 and 32 megapixel resolution on capture, taking full advantage of their microscope optics
- ❑ Highly sensitive, low noise CCD with remarkable color quality for the most demanding applications
- ❑ Full color sub-windowing allows for rapid focus and scanning of samples: 12 fps at full 1616X1216 resolution, 25 fps at smaller regions of interest
- ❑ 8 / 12-bit selectable output format
- ❑ The RGB data captured through each pixel contains 36-bits of color image information resulting in 4096 intensity values per color
- ❑ Camera control through INFINITY CAPTURE, an intuitive user interface, resulting in rapid image capture, archiving and documentation for high throughput applications
- ❑ INFINITY ANALYZE software for advanced camera control, image processing, measurement, annotation and archiving
- ❑ Easy and flexible installation on your PC through a standard, high-speed USB 2.0 interface
- ❑ INFINITYX-32 cameras are software compatible with Windows 2K, Windows XP and Windows Vista operating systems
- ❑ Full one (1) year warranty

MADE BY



## Specifications

### Camera Sensor

Image Sensor	1/1.8" Interline Sony ICX274 2.0 megapixel color or monochrome progressive scan CCD sensor
Effective Pixels	1616 x1216, 4.4µm square pixels
Digital Output	8 and 12-bit uncompressed
Frame Rate	12 fps at 1616x1216, 25 fps at 640x480
Dark Current (e-/s)	12 e-
Dynamic Range	>66dB

### Camera Controls

Integration Time	.067ms to 2 seconds
Shutter	Global Electronic Shutter
Auto Exposure	Automatic / Manual
White Balance	Automatic / Manual
Gain	Programmable / 1 to 10X
Lens Mount	Adjustable C-Mount lens adapter

### Operational Specs

Dimensions (L x W x H)	3.85 x 2.00 x 2.75 inches
Mass	300g
Power Requirement	USB bus power, or external 5VDC – 2.5A
Power Consumption	~2.5Watts
Operating Temperature	0°C to +50°C
Operating Humidity	5%-95%, Non-condensing

### Digital Video Resolution

1616 X 1216
1280 X 1024
808 X 608 (Binning 2x2)
640 X 480
404 X 304 (Binning 4X4) Mono
320 X 240

### Digital Still Image

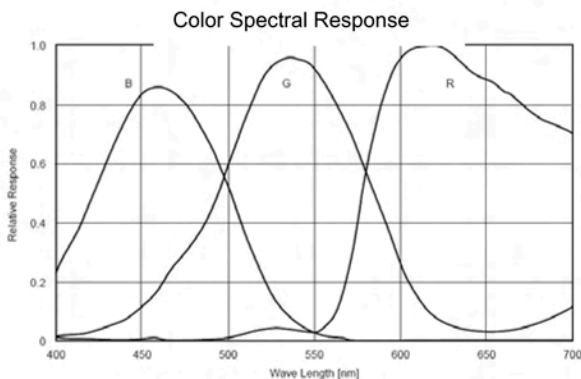
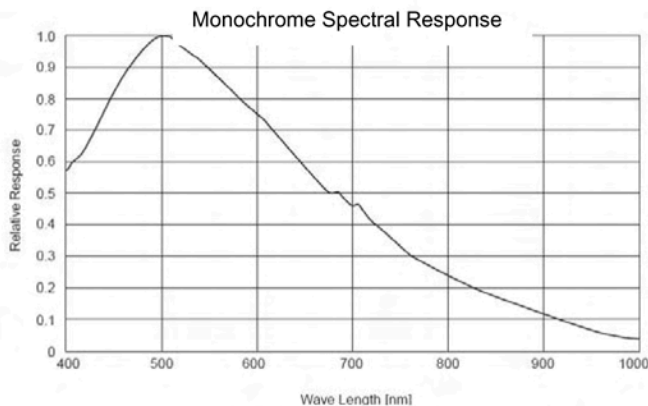
1616 X 1216 Demosaic / 2 Meg
3232 X 2432 / 8 Meg
4848 X 3648 / 16 Meg
6464 X 4864 / 32 Meg

### Computer Interface

Data Interface	High-Speed USB 2.0
Cable	Standard USB 2.0
Application Interface	INFINITY ANALYZE and INFINITY CAPTURE Software
Application Support	TWAIN for 3 <sup>rd</sup> party integration

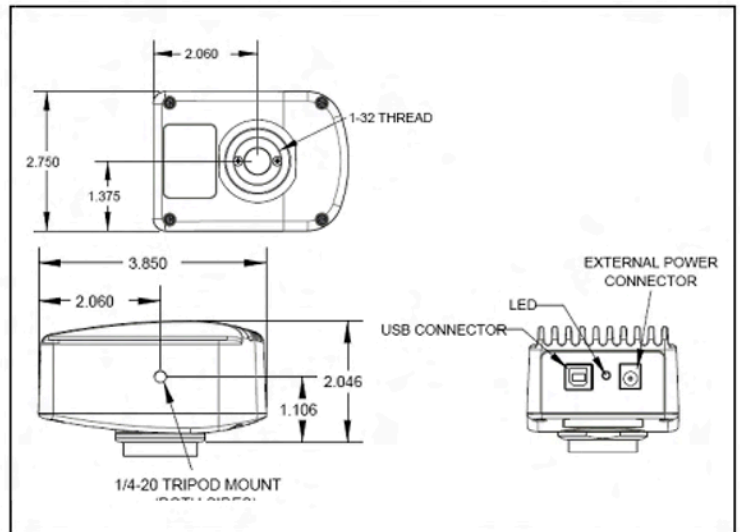
### Digital Video Frame Rate

12 frames per second
14 frames per second
21 frames per second
25 frames per second
37 frames per second
39 frames per second



### Ordering Information

INFINITYX-32C	– Color Camera
INFINITYX-32M	– Monochrome Camera
Lu8101	– Power Supply with international adaptors (included)



### Recommended PC Specs:

- Pentium 4, 1.3 GHz or higher
- 512MB RAM
- +60MB hard drive free space
- USB 2.0 port
- Windows 2000, XP and Vista

### Minimum PC Specs:

- 600MHz Processor
- 256 MB of SDRAM
- 20MB hard drive free space
- Windows XP or 2K

### Product Includes:

- INFINITYX-32 USB 2.0 digital camera
- CD-ROM with INFINITY software
- TWAIN driver
- Documentation
- USB 2.0 cable
- Power supply with international adaptors

MADE BY

